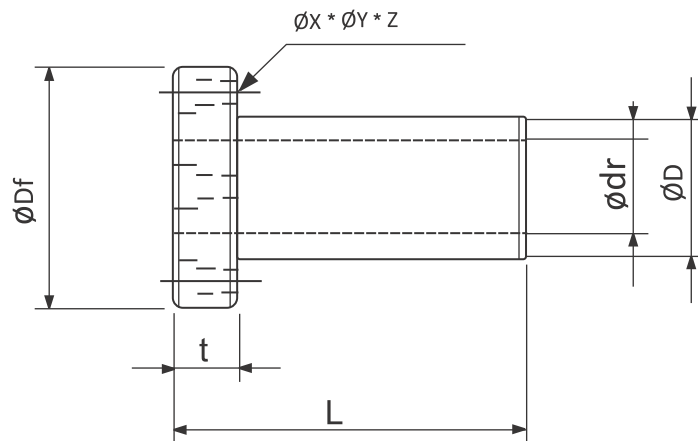
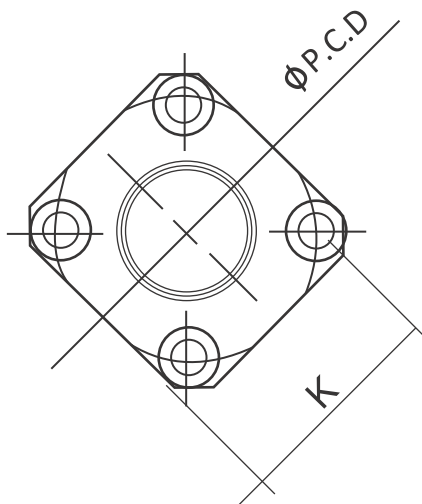


Ordering Key : SMK-L 20

1 2

1 SMK-L Long Type Square Flange Self-Lubricated Linear Bearing

2 Bearing Inner Diameter



Model NO	Inner Dia $\varnothing dr$ (F8)	$\varnothing D$ (F6)	L	$\varnothing Df$	K	t	P.C.D	$\varnothing X$	$\varnothing Y$	Z
SMK 10L	10	19	55	40	30	10	20	4.5	7.5	4.1
SMK 12L	12	21	57	42	32	13	32	4.5	7.5	4.1
SMK 16L	16	28	70	48	37	13	38	4.5	7.5	4.1
SMK 20L	20	32	80	54	42	15	43	5.5	9.0	5.1
SMK 25L	25	40	112	62	50	15	51	5.5	9.0	5.1
SMK 30L	30	45	123	74	58	20	60	6.6	11.0	6.1
SMK 35L	35	52	135	82	64	20	67	6.6	11.0	6.1
SMK 40L	40	60	151	96	75	22	78	9.0	14.0	8.1
Model NO	Max. Static Load kgf	Max. PV kgf *m/sec	Max. Speed m/sec			Weight g				
SMK 10L	380	18.7	2			62				
SMK 12L	475	23.2	2			67				
SMK 16L	780	38.1	2			106				
SMK 20L	1100	54.2	2			143				
SMK 25L	1900	95	2			283				
SMK 30L	2470	123.7	2			388				
SMK 35L	3230	157.9	2			570				
SMK 40L	4180	207.0	2			849				

